



INSTRUCTION BULLETIN

No. 9007953
Machine: S30
Published: 08-2010
Rev. 00

NOTE: DO NOT DISCARD the Parts List from the Instruction Bulletin. Place the Parts List in the appropriate place in the machine manual for future reference. Retaining the Parts List will make it easier to reorder individual parts and will save the cost of ordering an entire kit.

NOTE: Numbers in parenthesis () are reference numbers for parts listed in Bill of Materials.

Installation instructions for **kit number 9007917**

SYNOPSIS:

This kit contains the parts needed to replace the tower bumper kit on S30 machines that have been converted from RTM covers to rotomold covers (kit 9007918 or 9007919 installed).
Please follow step-by-step instructions.

SPECIAL TOOLS / CONSIDERATIONS: NONE

(Estimated time to complete: 1.5 hours)



PROTECT THE ENVIRONMENT

Please dispose of packaging materials, old machine components, and hazardous fluids in an environmentally safe manner according to local waste disposal regulations.

Always remember to recycle.

PREPARATION:

1. Park the machine on a clean level surface, turn off the machine, remove the key, and set the parking brake.

FOR SAFETY: Before leaving or servicing machine, stop on level surface, turn off machine, and remove key.

INSTALLATION:

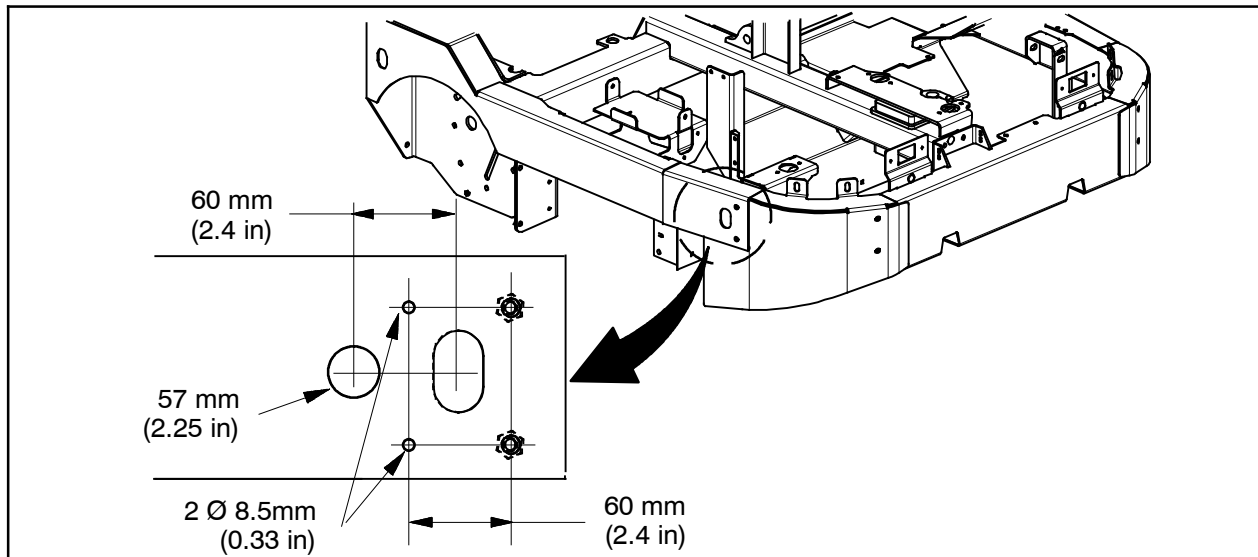


FIG. 1

1. Drill two 8.5 mm (0.33 in) holes through the frame of the machine. (Fig. 1)
2. Use a 10 mm tap to thread each hole drilled in the previous step. (Fig. 1)
3. Use a 57 mm (2.25 in) hole saw to cut a strap down hook hole into the frame of the machine. (Fig. 1)
4. Repeat Step 1 through Step 3 on the other side of the machine. (Fig. 1)
5. Use two hex screws (4) to install both the left bumper tower (1) and right bumper tower (2) onto the machine. (Fig. 2 / Fig. 5)

6. Use saved SEMS hex screws to install both bumper mounting brackets (3) and the hitch pins onto the machine. (Fig. 3 / Fig. 5)

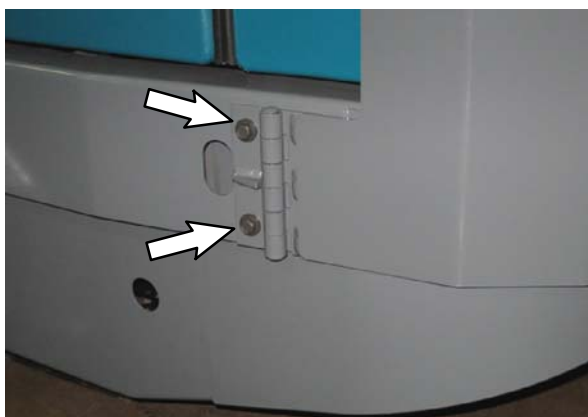


FIG. 2

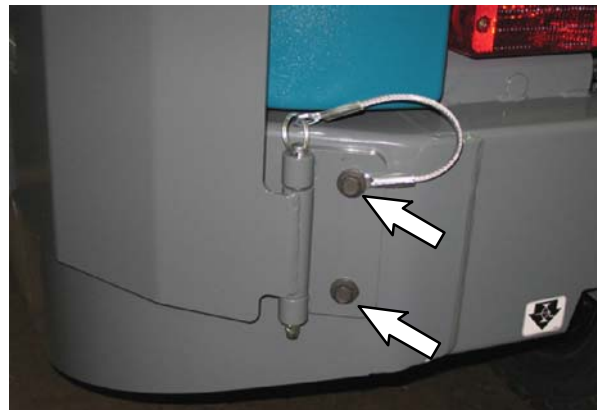


FIG. 3

7. Close the tower bumpers and secure the tower bumpers closed with the hitch pins. (Fig. 4 and Fig. 5)



FIG. 4

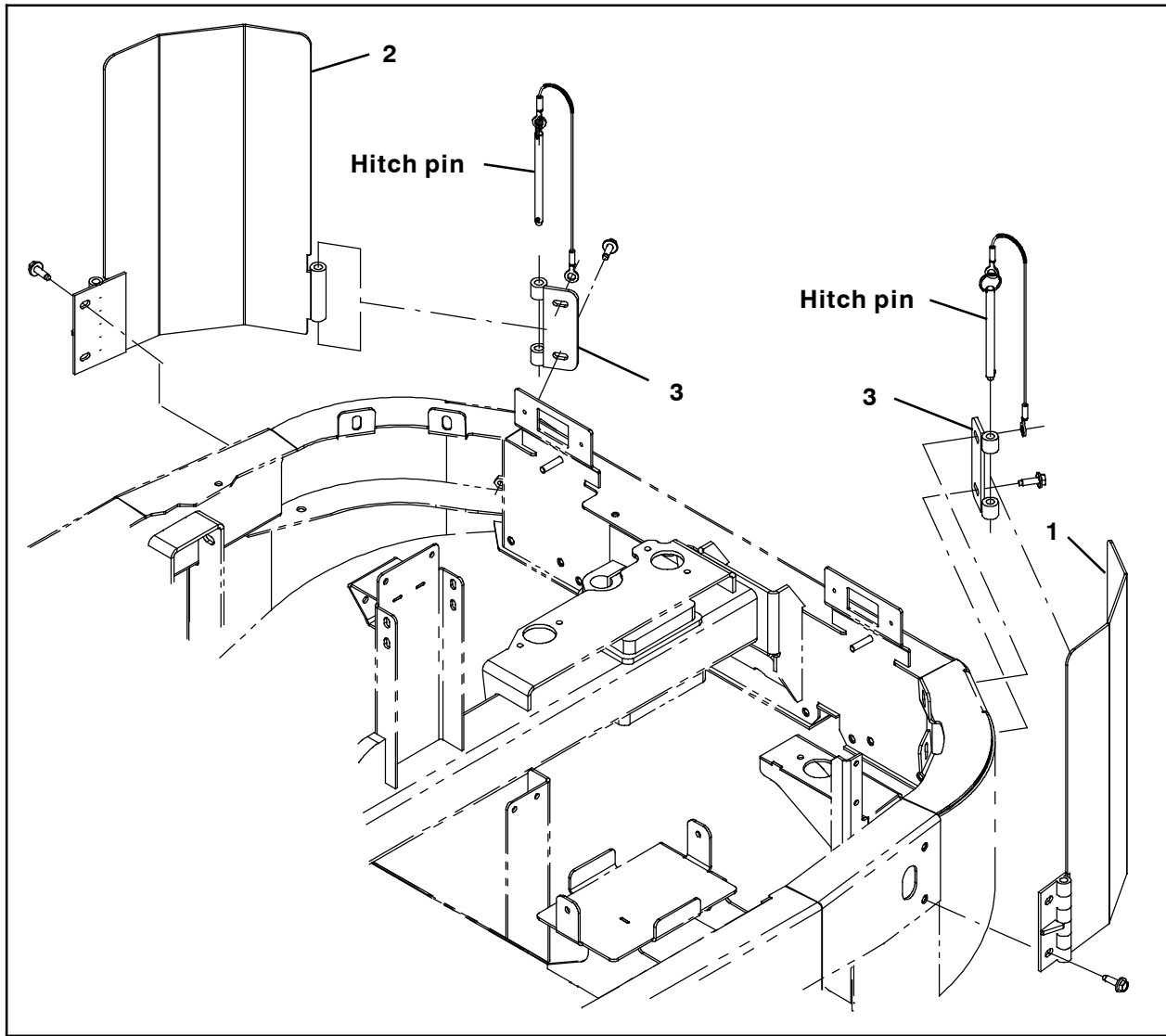


FIG. 5

Bill Of Materials For Conv Kit, Shrd, Bmpr [S30 Rotomold] - 9007917

Ref.	Tennant Part No.	Description	Qty.
▽	9007917	Parts Kit, Bumper, HD, F/ Rotomold [S30]	1
▲	1 1060546	Angle Wldt, Bmpr, Tower, LH	1
▲	2 1061162	Angle Wldt, Bmpr, Tower, RH	1
▲	3 1061629	Bracket Wldt, Mtg, Bmpr	2
▲	4 763052	Screw, Hex, M10 X 1.50 X 20, Fmg	4

TENNANT COMPANY
P. O. Box 1452
Minneapolis, MN 55440-1452